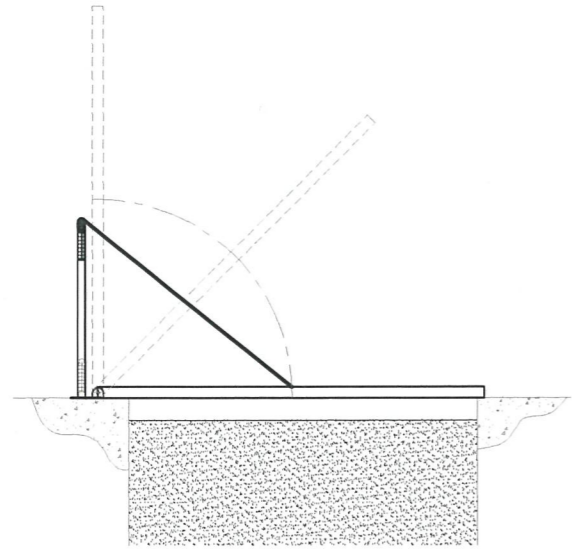
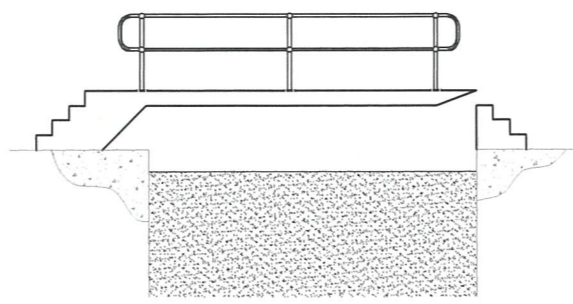


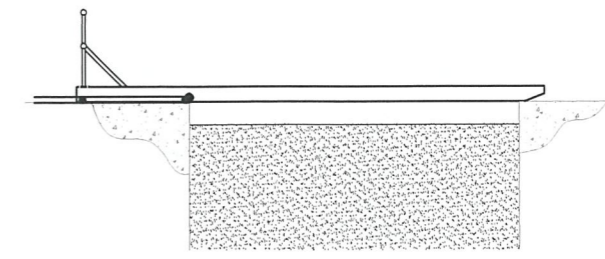
DO NOT SCALE THIS DRAWING. Use only dimensions shown. All dimensions should be checked on site. Drawing to be read in conjunction with the associated notes and specifications. Drawing to be read in conjunction with all other services, architectural and structural. These designs, drawings and specifications are copyright and must not be altered, reproduced or copied wholly or in any part without the written permission of COVA THINKING Pty Ltd. All rights reserved.



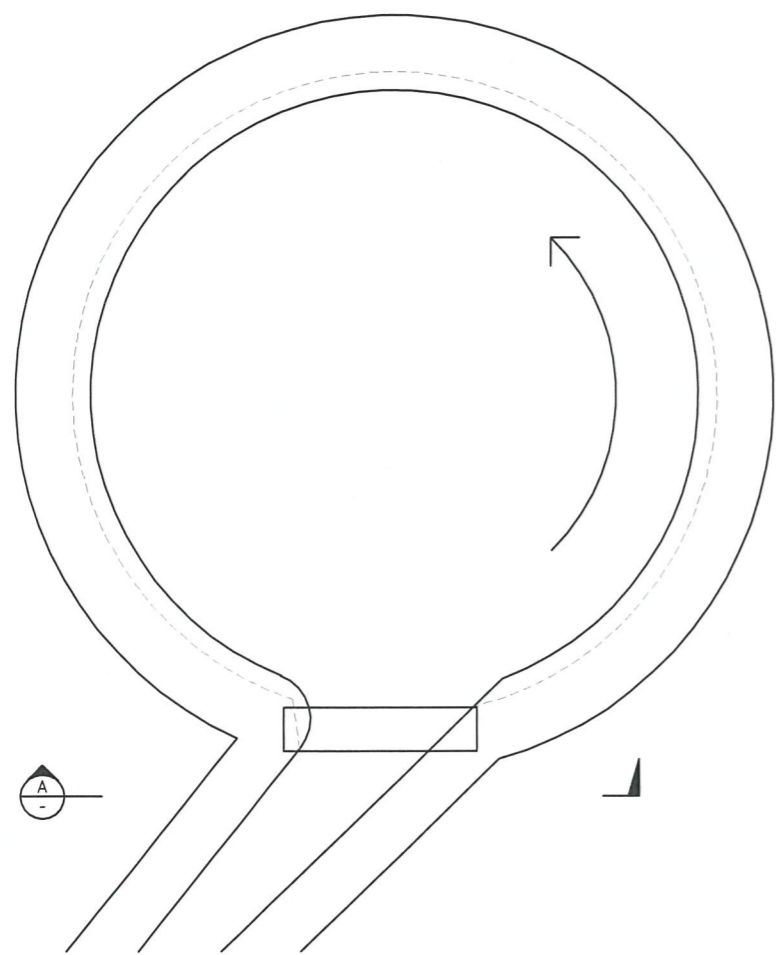
SECTION A
SCALE 1:50



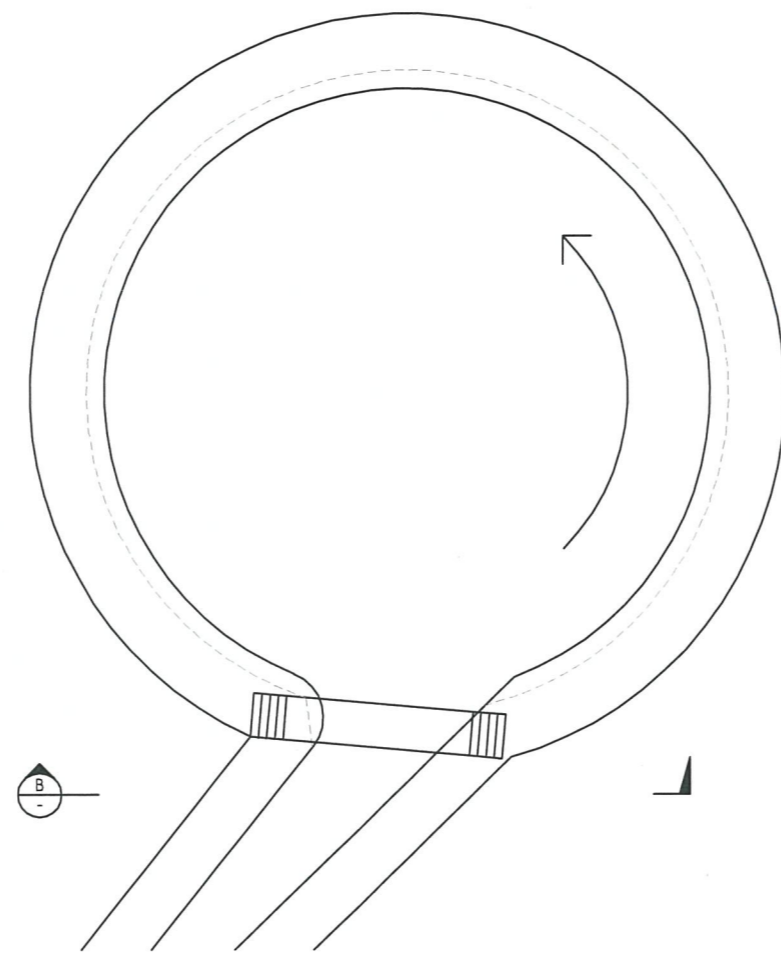
SECTION B
SCALE 1:50



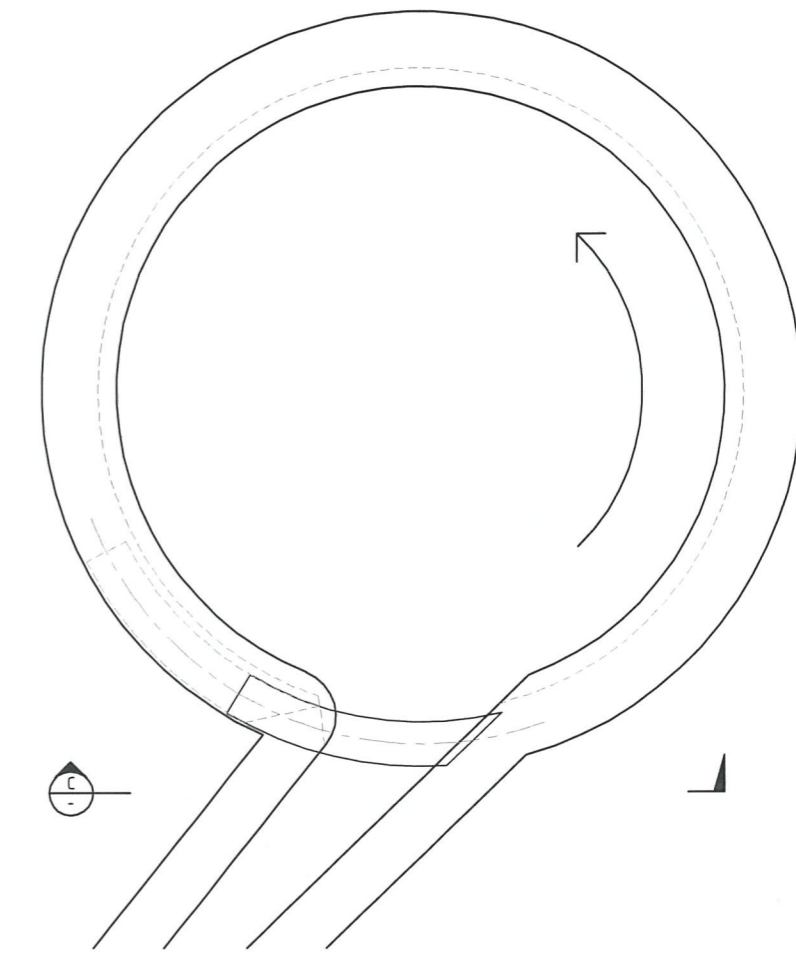
SECTION C
SCALE 1:50



OPTION 'A' - COUNTERWEIGHTED DRAWBRIDGE
SCALE 1:100



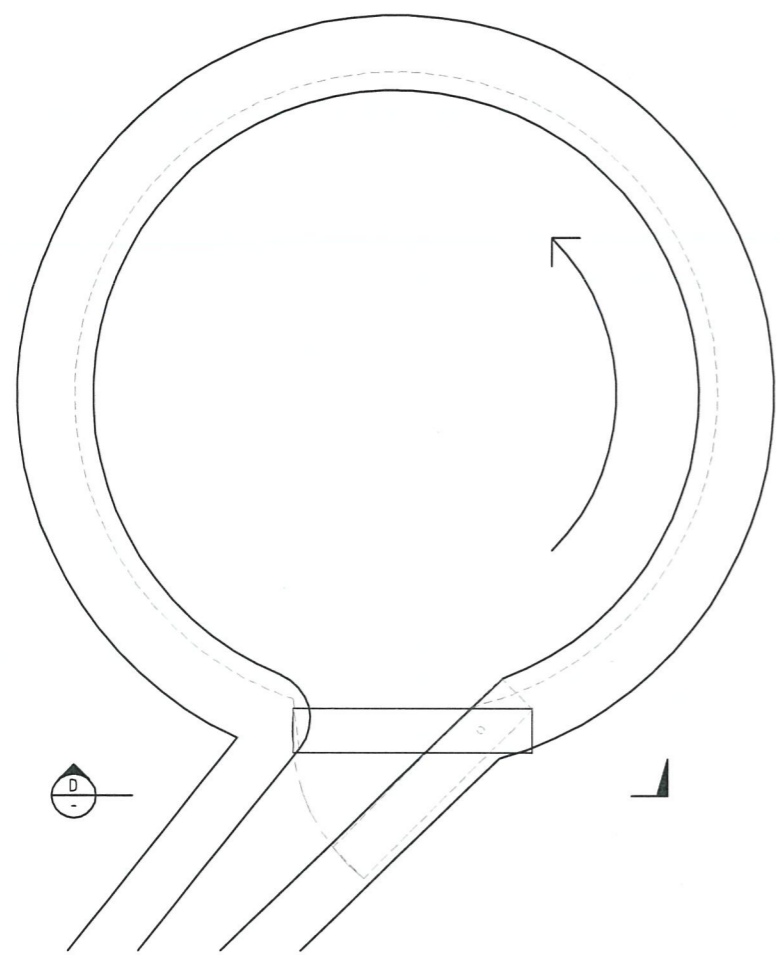
OPTION 'B' - FIXED BRIDGE
SCALE 1:100



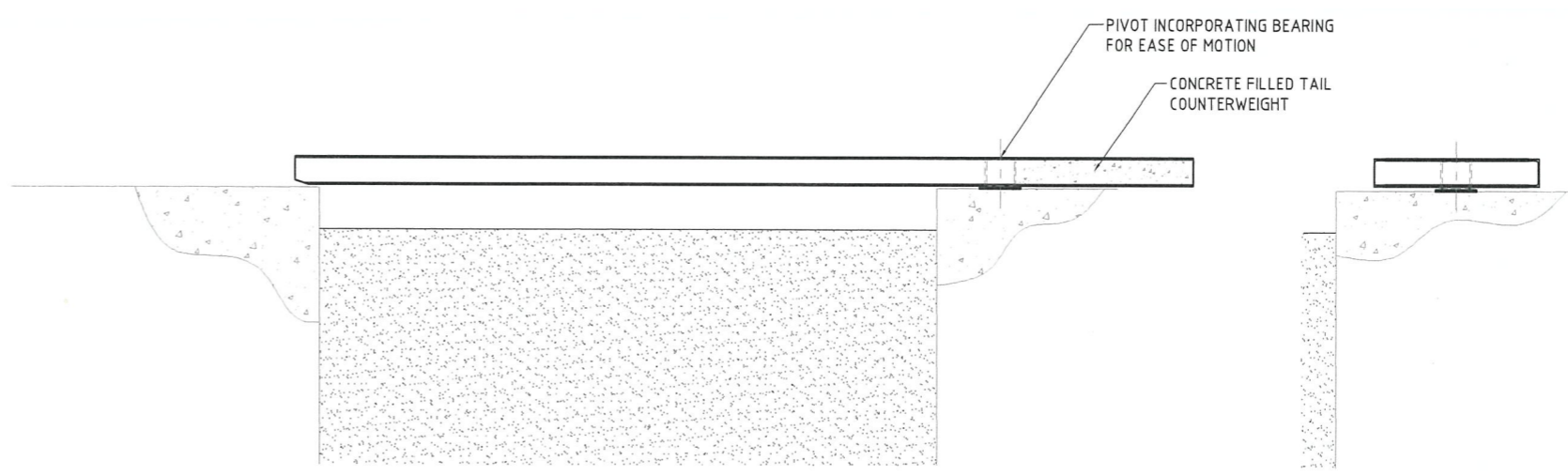
OPTION 'C' - CURVED RETRACTING BRIDGE
SCALE 1:100

<table border="1"> <tr> <th colspan="2">DRAWING CHECK</th> <th colspan="2">CO-ORDINATION CHECK</th> </tr> <tr> <td>SIGNATURE</td> <td>DATE</td> <td>SIGNATURE</td> <td>DATE</td> </tr> <tr> <td>DRAWN</td> <td></td> <td>STRUCT.</td> <td></td> </tr> <tr> <td>DESIGNED</td> <td></td> <td>MECH.</td> <td></td> </tr> <tr> <td>CHECKED</td> <td></td> <td>ELECT.</td> <td></td> </tr> <tr> <td></td> <td></td> <td>HYDRAUL.</td> <td></td> </tr> <tr> <td></td> <td></td> <td>PRESEN.</td> <td></td> </tr> </table>		DRAWING CHECK		CO-ORDINATION CHECK		SIGNATURE	DATE	SIGNATURE	DATE	DRAWN		STRUCT.		DESIGNED		MECH.		CHECKED		ELECT.				HYDRAUL.				PRESEN.			<p>Stronger Together</p> <p>1300 35 7363 covathinking.com ACN 117 492 814</p>	<p>PROJECT: EQUINE POOL FOOTBRIDGE</p>	<p>TITLE: BRIGHTON EQUINE POOL FOOTBRIDGE CONCEPTS</p>	<p>STATUS: PRELIMINARY ONLY NOT TO BE USED FOR CONSTRUCTION</p> <p>SCALE: A1 N.T.S. DIMENSIONS IN MILLIMETRES</p> <p>DRAWING No: 0851.014-PROP01</p>
DRAWING CHECK		CO-ORDINATION CHECK																																
SIGNATURE	DATE	SIGNATURE	DATE																															
DRAWN		STRUCT.																																
DESIGNED		MECH.																																
CHECKED		ELECT.																																
		HYDRAUL.																																
		PRESEN.																																
<table border="1"> <tr> <th>REV.</th> <th>DESCRIPTION</th> <th>RS</th> <th>DB</th> <th>CM</th> <th>08.03.19</th> <th>CLIENT</th> </tr> <tr> <td>A</td> <td>ISSUED FOR COMMENT</td> <td>RS</td> <td>DB</td> <td>CM</td> <td>08.03.19</td> <td>CLIENT</td> </tr> <tr> <td></td> <td></td> <td>DRN</td> <td>CHK</td> <td>APP.</td> <td>DATE</td> <td></td> </tr> </table>		REV.	DESCRIPTION	RS	DB	CM	08.03.19	CLIENT	A	ISSUED FOR COMMENT	RS	DB	CM	08.03.19	CLIENT			DRN	CHK	APP.	DATE				<p>PROJECT: EQUINE POOL FOOTBRIDGE</p>		<p>TITLE: BRIGHTON EQUINE POOL FOOTBRIDGE CONCEPTS</p>		<p>STATUS: PRELIMINARY ONLY NOT TO BE USED FOR CONSTRUCTION</p> <p>SCALE: A1 N.T.S. DIMENSIONS IN MILLIMETRES</p> <p>DRAWING No: 0851.014-PROP01</p>					
REV.	DESCRIPTION	RS	DB	CM	08.03.19	CLIENT																												
A	ISSUED FOR COMMENT	RS	DB	CM	08.03.19	CLIENT																												
		DRN	CHK	APP.	DATE																													

DO NOT SCALE THIS DRAWING. Use only dimensions shown. All dimensions should be checked on site. Drawing to be read in conjunction with the associated notes and specifications. Drawing to be read in conjunction with all other services, architectural and structural. These designs, drawings and specifications are copyrighted and must not be altered, reproduced or copied wholly or in any part without the written permission of COVA THINKING Pty Ltd. All rights reserved.



OPTION 'D' - COUNTERWEIGHTED SWINGING BRIDGE
SCALE 1:100



SECTION **D**
SCALE 1:25

REV.	DESCRIPTION	DESIGNED	CHECKED	APP.	DATE
A	ISSUED FOR COMMENT	RS	DB	CM	15.03.19

DRAWING CHECK		CO-ORDINATION CHECK	
SIGNATURE	DATE	SIGNATURE	DATE
DRAWN		STRUCT.	
DESIGNED		MECH.	
CHECKED		ELECT.	
CLIENT		HYDRO/CIVIL	
		PREP/REV.	



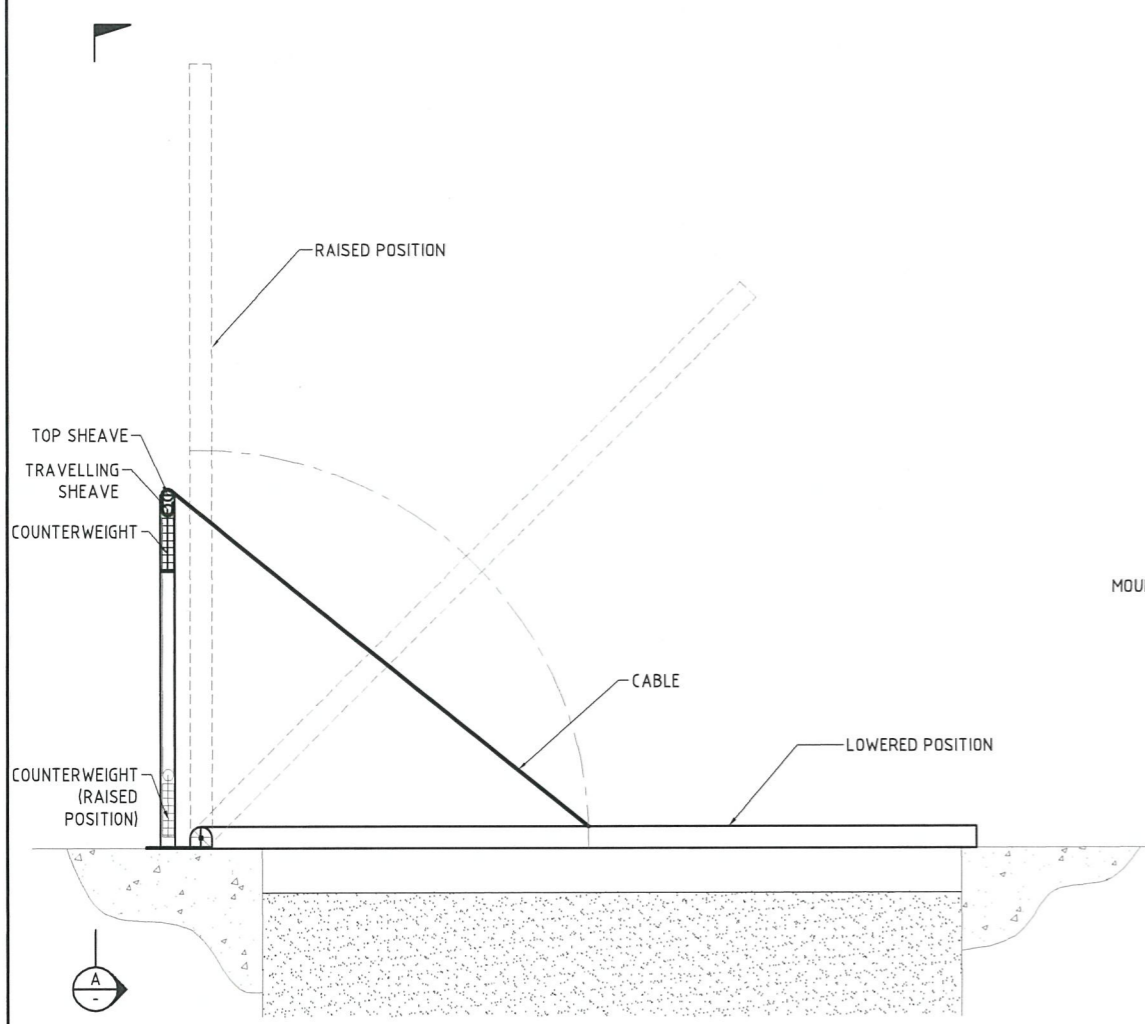
COVA
Stronger Together
1300 35 7363 covathinking.com
ACN 117 492 814

PROJECT: EQUINE POOL FOOTBRIDGE

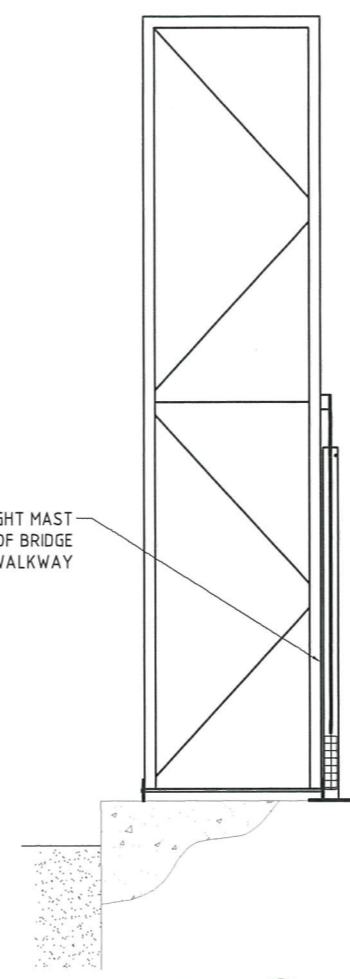
TITLE: BRIGHTON EQUINE POOL FOOTBRIDGE CONCEPTS

2000 0 2000 4000 6000 A1
STATUS: PRELIMINARY ONLY
NOT TO BE USED FOR CONSTRUCTION
SCALE @ A1: N.T.S. DIMENSIONS IN MILLIMETRES
DRAWING No. 0851.014-PROP03 REV. A

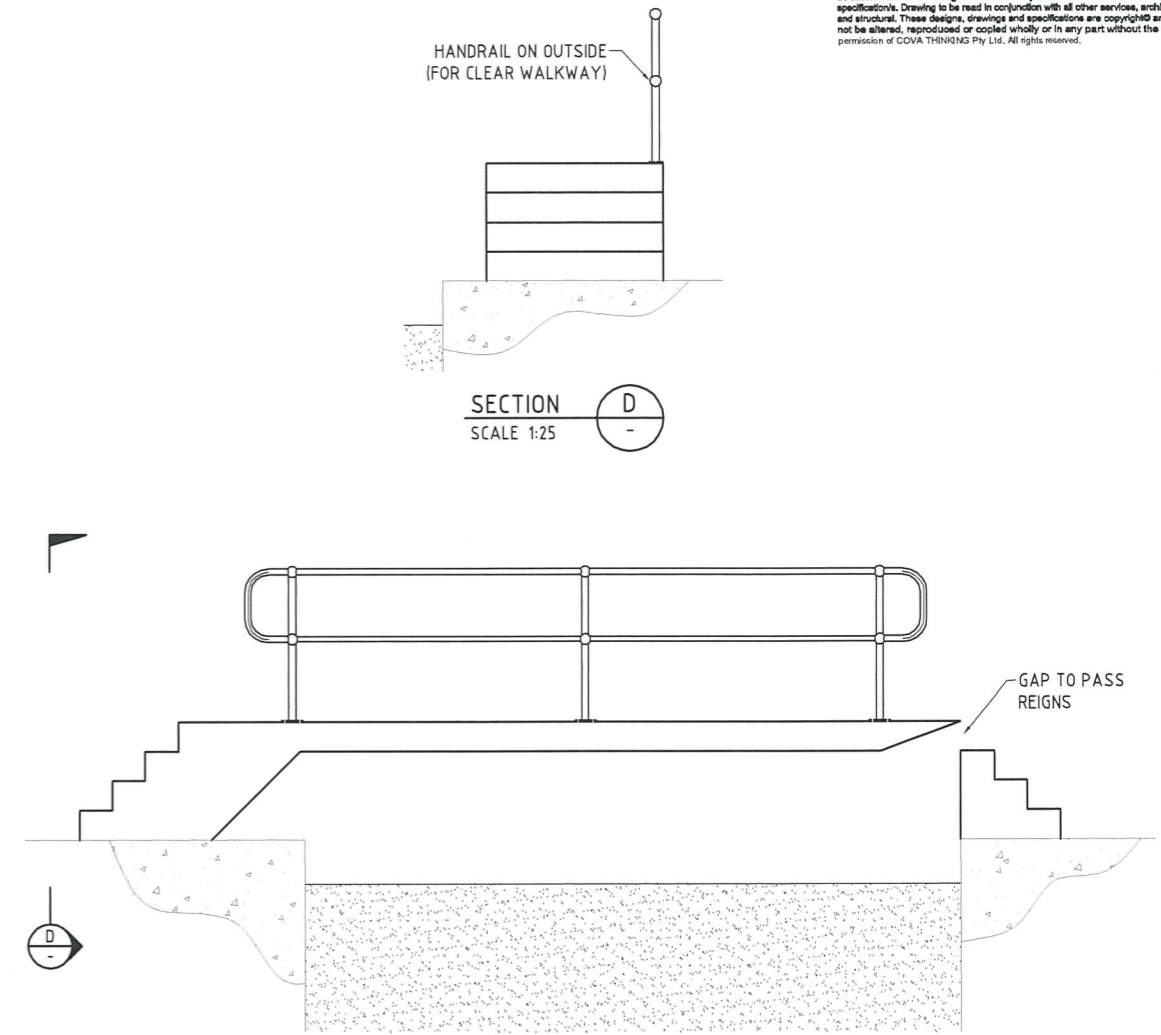
DO NOT SCALE THIS DRAWING. Use only dimensions shown. All dimensions should be shaded on site. Drawing to be read in conjunction with the associated notes and specifications. These designs, drawings and specifications are copyright and must not be altered, reproduced or copied wholly or in any part without the written permission of COVA THINKING Pty Ltd. All rights reserved.



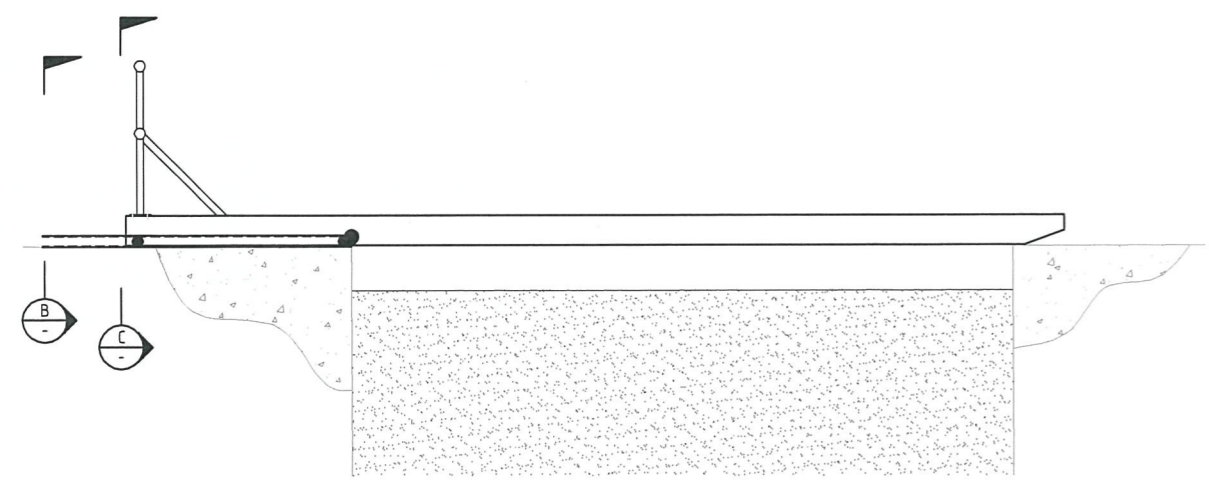
OPTION 'A' - DRAWBRIDGE DETAILS
SCALE 1:25



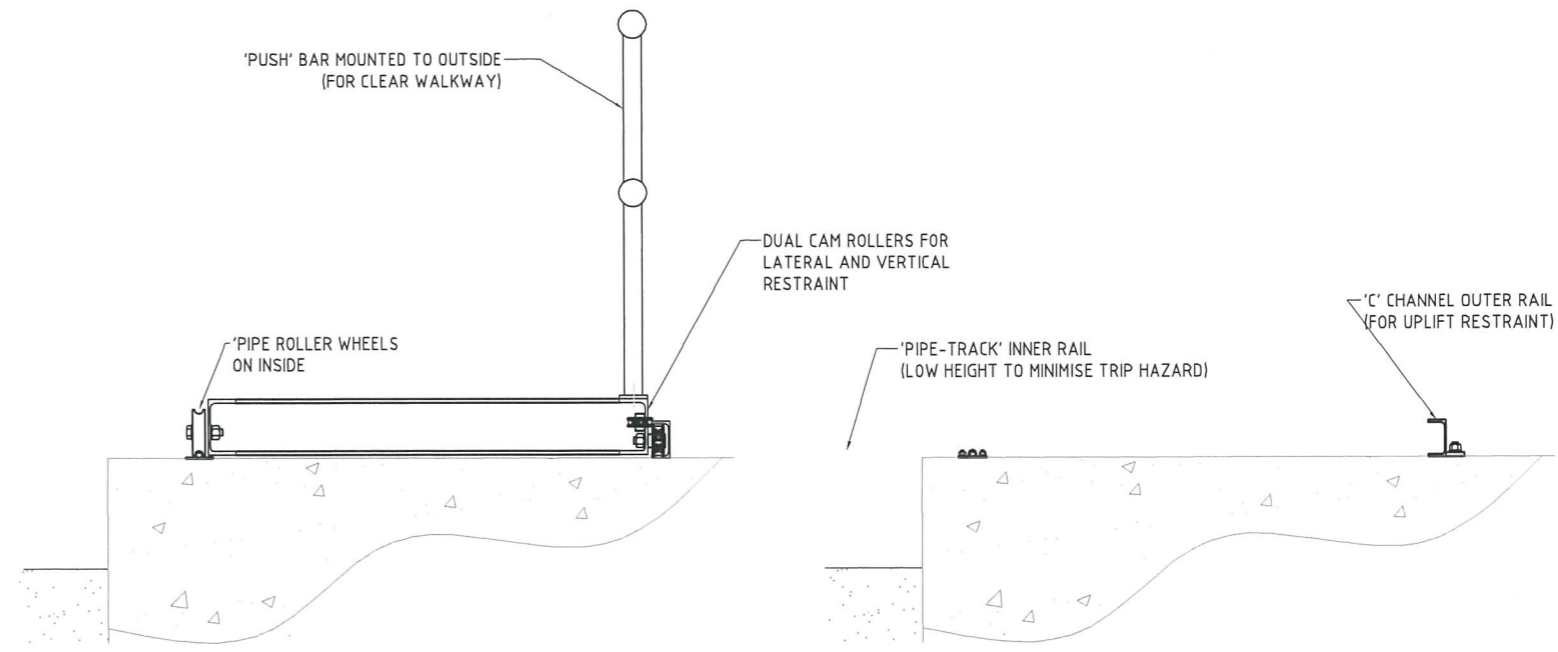
SECTION A
SCALE 1:25



OPTION 'B' - FIXED BRIDGE DETAILS
SCALE 1:25



OPTION 'C' - CURVED RETRACTING BRIDGE DETAILS
SCALE 1:25



SECTION C
SCALE 1:10

SECTION B
SCALE 1:10

REV.	DESCRIPTION	RS	DB	CM	08.03.19
A	ISSUED FOR COMMENT	DRN	CHK	APP.	DATE

DRAWING CHECK		CO-ORDINATION CHECK	
SIGNATURE	DATE	SIGNATURE	DATE



COVA
Stronger Together
1300 35 7363 covathinking.com
ACN 117 492 814

PROJECT: EQUINE POOL FOOTBRIDGE

TITLE: BRIGHTON EQUINE POOL FOOTBRIDGE CONCEPTS - DETAILS

500 0 500 1000 1500 A1
STATUS: PRELIMINARY ONLY
NOT TO BE USED FOR CONSTRUCTION
SCALE: A1 N.T.S. DIMENSIONS IN MILLIMETRES
DRAWING No: 0851.014 - PROP02
REV. A